

Type No. 230-011-011a



MEGA-Line
RACING ELECTRONIC GmbH
Haunersdorfer Str.3
D - 93342 Saal a.d. Donau

Germany

Phone: +49 (0) 9441 6866 - 0
Fax: +49 (0) 9441 6866 - 11

Mail: info@mega-line.com
Web: www.mega-line.com

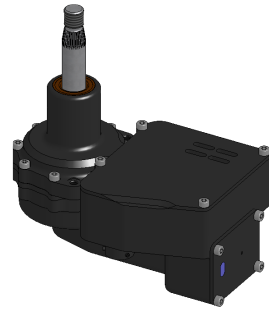
Description / features

The Wiper Control Unit (WCU) OEM combines state of the art wiper controls with a very powerful electric motor providing sufficient torque at constant wiper rpm (10Nm torque @ 100 rpm) to ensure perfect sight even at enhanced car speeds.

The WCU OEM allows to freely configuring the wipe range and it optionally features an automatic adaptation of the wipe angle depending on car speed.

It provides infinitely variable control and allows defining up to 3 different wipe speeds (incl. interval operation) in case of an analog input. Optionally it is possible to request distinct wipe speeds when operated via CAN.

Unit can be easily adapted to individual mounting points by using a mounting plate.



Technical specifications

Electronic data:

Operating voltage	12.0..15.6V nom.
Standby current	0.2 A
Avg operating current	approx. 8 - 10 A
Peak current	max. 60 A

Mechanical data:

Dimensions L x W x H	approx. 134 x 81 x 134 mm
Weight	approx. 950 g
Wiper fitting:	tapered, knurled surface
Max. angle	300 °
Max. wiper torque	19 Nm
Wiper torque @ \leq 100 rpm	10 Nm

Connector:

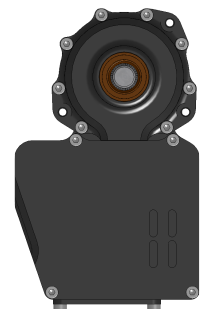
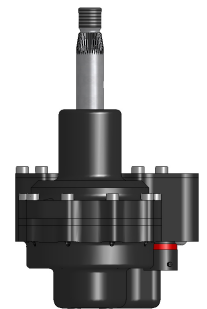
Deutch 13 pin	AS210-35PN
Deutch 13 socket, loom side	AS610-35SN

Temperature range:

Ambient	-25 °C ... +60 °C
---------	-------------------

Ordering information:

Article no.	230-011-011a
Order no.	11487



Type No. 230-011-011a

MEGA-Line
RACING ELECTRONIC GmbH
Haunersdorfer Str.3
D - 93342 Saal a.d. Donau

Germany

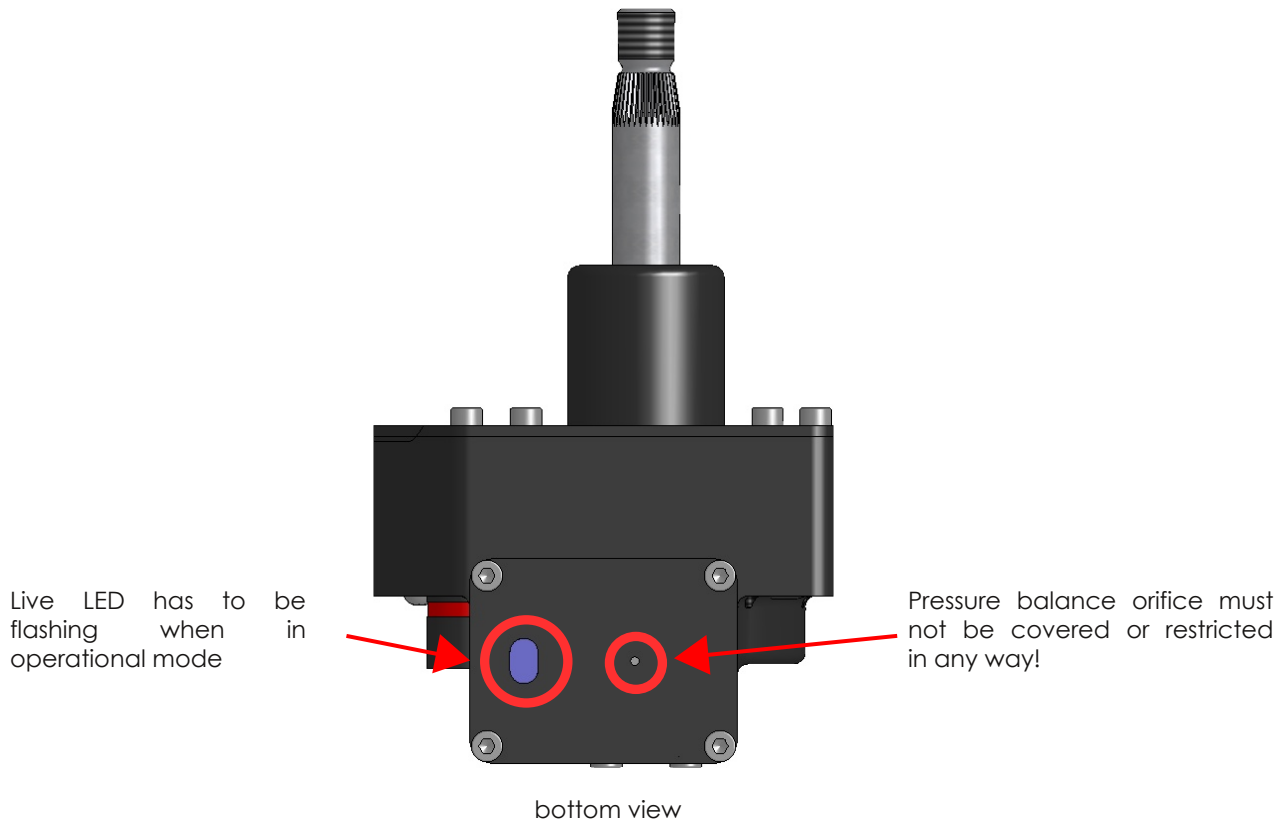
Phone: +49 (0) 9441 6866 - 0
Fax: +49 (0) 9441 6866 - 11

Mail: info@mega-line.com
Web: www.mega-line.com

Pin assignment

Pin	Function	Dia [AWG]	Type
1	+ 13.5V supply	22	pwr
2	GND supply	22	pwr
3	GND supply	22	pwr
4	GND supply	22	pwr
5	+ 5V sensor	26	pwr
6	AGND	26	pwr
7	CAN low	26	data
8	CAN high	26	data
9	Analog in 1	26	analog in
10	+ 13.5V supply	22	pwr
11	+ 13.5V supply	22	pwr
12	Analog in 2	26	analog in
13	Flash	26	digital in

Attention!



Type No. 230-011-011a



MEGA-Line
RACING ELECTRONIC GmbH
Haunersdorfer Str.3
D - 93342 Saal a.d. Donau

Germany

Phone: +49 (0) 9441 6866 - 0
Fax: +49 (0) 9441 6866 - 11

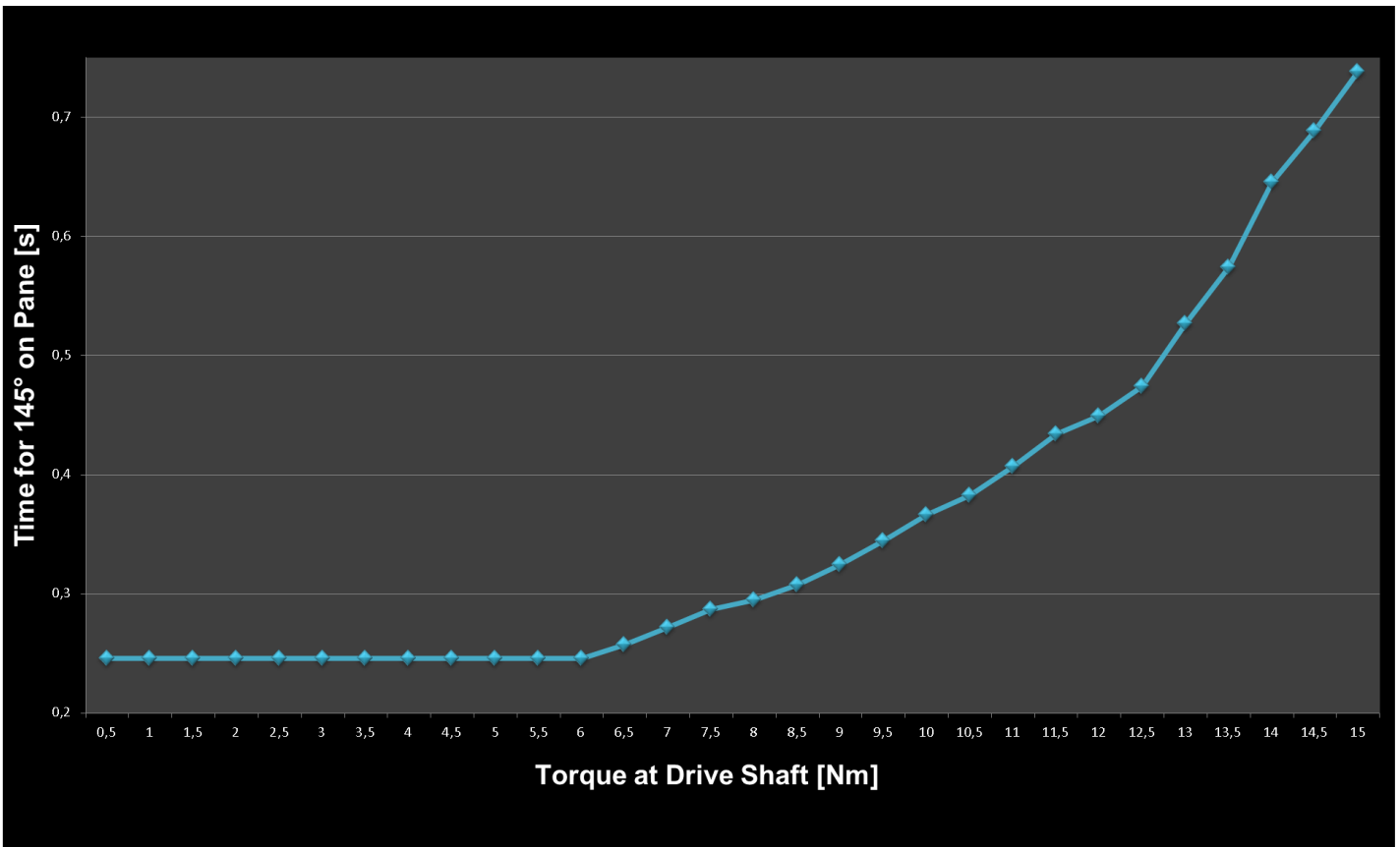
Mail: info@mega-line.com
Web: www.mega-line.com

Performance diagramm

The chart shows the time to move the wiper on pane for a difference of 145 degree related to the maximum torque at the driven shaft (wiper torque).

If a higher torque than 10 Nm is needed, application has to be clarified with MEGA-Line RACING ELECTRONIC GmbH.

If a higher velocity is needed at a maximum torque under 10 Nm it also has to be clarified with MEGA-Line RACING ELECTRONIC GmbH.



Type No. 230-011-011a

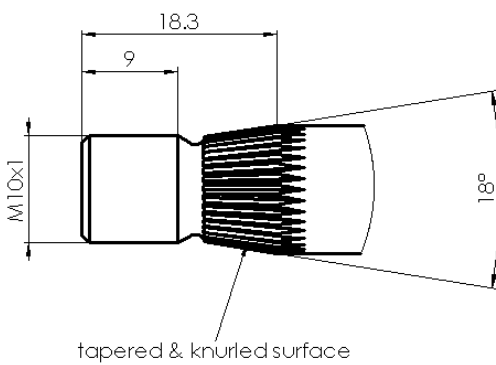
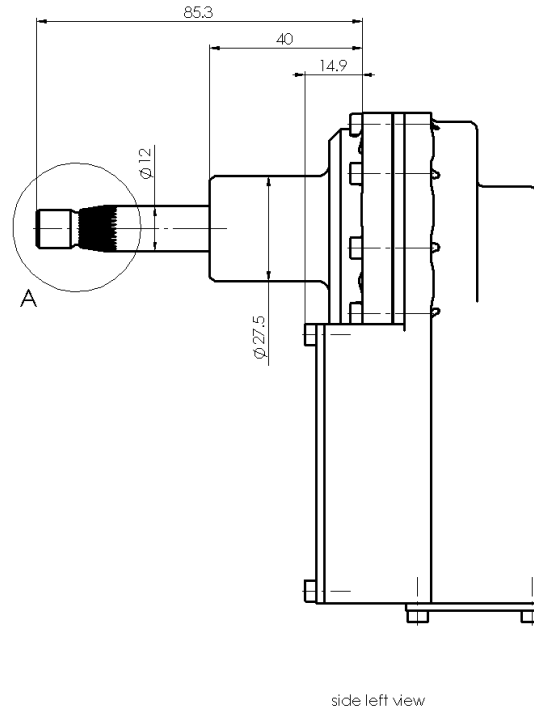
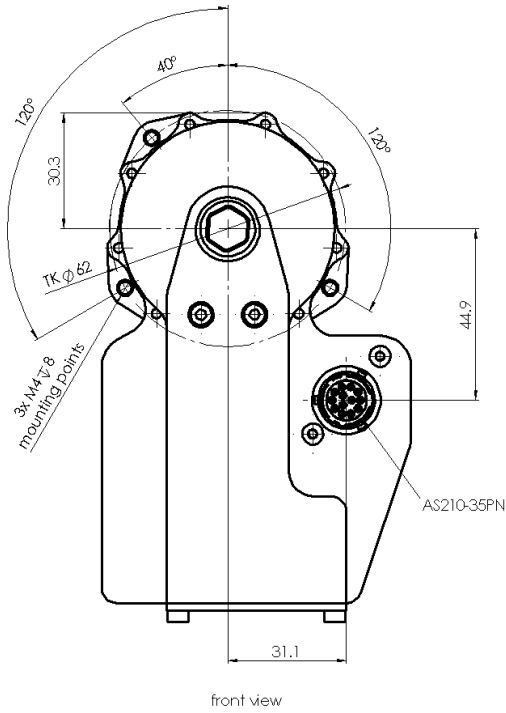
MEGA-Line
RACING ELECTRONIC GmbH
Haunersdorfer Str.3
D - 93342 Saal a.d. Donau

Germany

Phone: +49 (0) 9441 6866 - 0
Fax: +49 (0) 9441 6866 - 11

Mail: info@mega-line.com
Web: www.mega-line.com

Assembly dimensions



A (2:1)

Type No. 230-011-011a

MEGA-Line
RACING ELECTRONIC GmbH
Haunersdorfer Str.3
D - 93342 Saal a.d. Donau

Germany

Phone: +49 (0) 9441 6866 - 0
Fax: +49 (0) 9441 6866 - 11

Mail: info@mega-line.com
Web: www.mega-line.com

Mechanical dimensions

